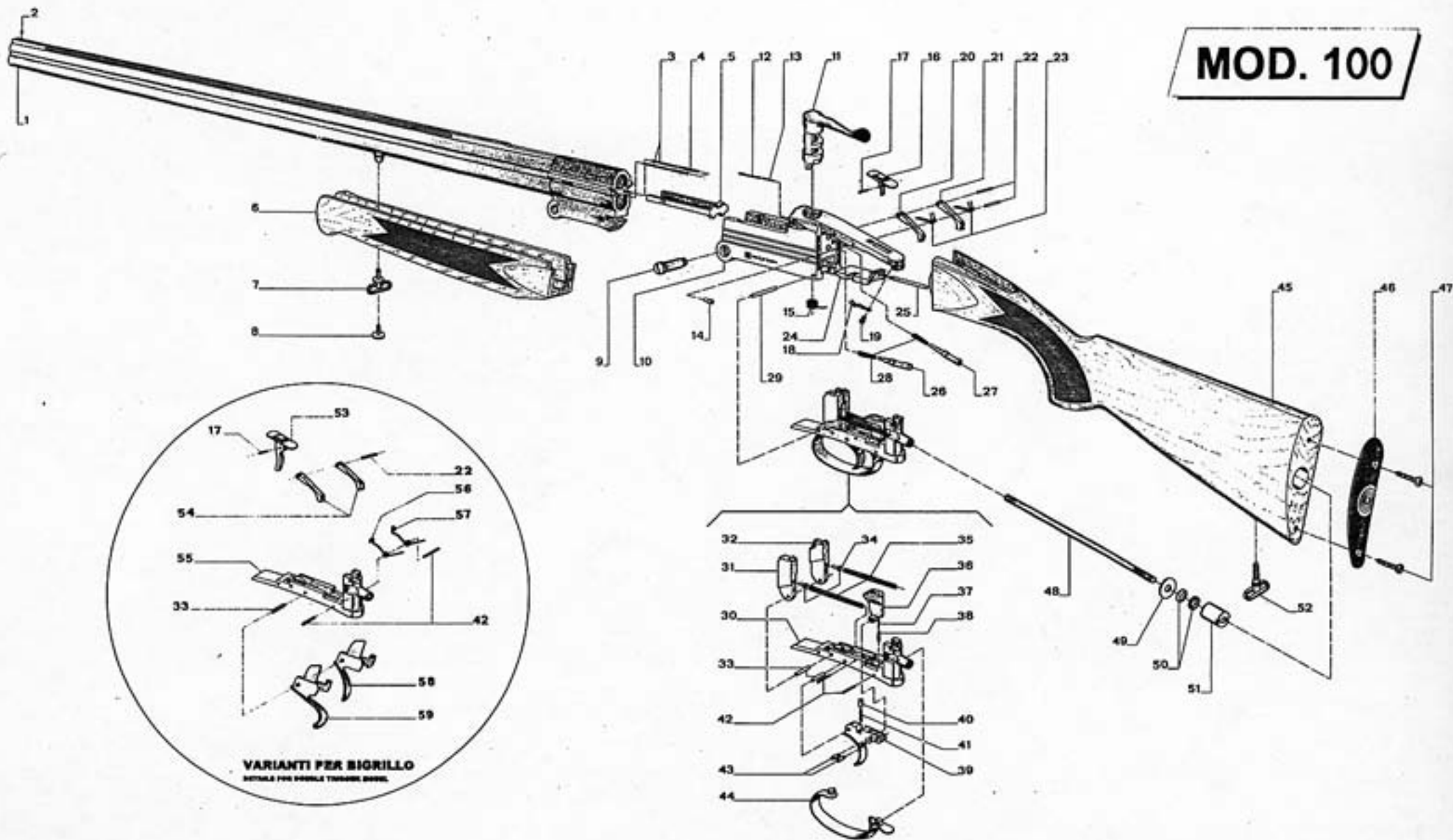


LIST OF COMPONENTS

- | | |
|-------------------------------|---|
| 1 Barrel | 28 Fire pin spring |
| 2 Front sight | 29 Trigger plate pin |
| 3 Extractor spring | 30 Trigger plate |
| 4 Extractor spring guide | 31 Left hammer |
| 5 Extractor | 32 Right hammer |
| 6 Forend | 33 Hammers and trigger pin |
| 7 Forend swivel | 34 Mainspring guide |
| 8 Forend screw | 35 Mainspring |
| 9 Receiver screw | 36 Inertia block |
| 10 Action | 37 Inertia block spring |
| 11 Top opening lever | 38 Inertia block spring guide |
| 12 Lock release button | 39 Trigger |
| 13 Lock release button spring | 40 Trigger spring plunger |
| 14 Top lever retaining screw | 41 Trigger spring |
| 15 Release top lever spring | 42 Trigger pin and trigger guard retaining pin |
| 16 Safety | 43 Inertia block and inertia block spring ret.screw |
| 17 Safety pin | 44 Trigger guard |
| 18 Safety spring | 45 Stock |
| 19 Safety spring screw | 46 Butt plate |
| 20 Left sear | 47 Butt plate screw |
| 21 Right sear | 48 Stock bolt |
| 22 Sear and sear springs pin | 49 Stock bolt washer |
| 23 Sear spring | 50 Elastic stock bolt washer |
| 24 Cross bolt | 51 Stock bolt nut |
| 25 Automatic safety long pin | 52 Stock swivel |
| 26 Lower fire pin | |
| 27 Higher fire pin | |

MOD. 100



MOD. 200

